



CARDIAC INTERVENTION

INTERVENTION



INTERVENTION

ASPIRATION CATHETERS

ASAP® Aspiration Catheter	65
ASAPLP™ Aspiration Catheter	65

GUIDING CATHETERS

ConcierGE® Guiding Excellence Catheters	66-72
Judkins Right	66
Judkins Left	67
SBS	68
Amplatz Right	69
Amplatz Left	69
Multipurpose	70
Left Coronary Bypass	70
Right Coronary Bypass	70
Internal Mammary	71
El Gamal	71
Hockey Stick	71
Ultimate	71

HAEMOSTASIS VALVES & ACCESSORIES

Haemostasis Valves & Accessories	73
MAP™ - Merit Angioplasty Packs	74

INFLATION DEVICES

BasixCOMPAK™ Inflation Devices	75
BasixTOUCH™ Inflation Devices	76
Blue Diamond™ Inflation Devices	77

STENT POSITIONING SYSTEM

Ostial PRO® Stent Positioning System	78
--------------------------------------	----

ASPIRATION CATHETERS

The ASAP® and ASAPLP™ (low profile) Aspiration Catheters are designed for effective and quick clot aspiration. The ASAP is a 5.2F catheter with a maximum O.D. of 0.068". The ASAPLP is a 4F low-profile catheter with a maximum O.D. of 0.055". Both catheters are available in kits that include all the necessary components to perform a catheter aspiration procedure safely, quickly, and effectively.

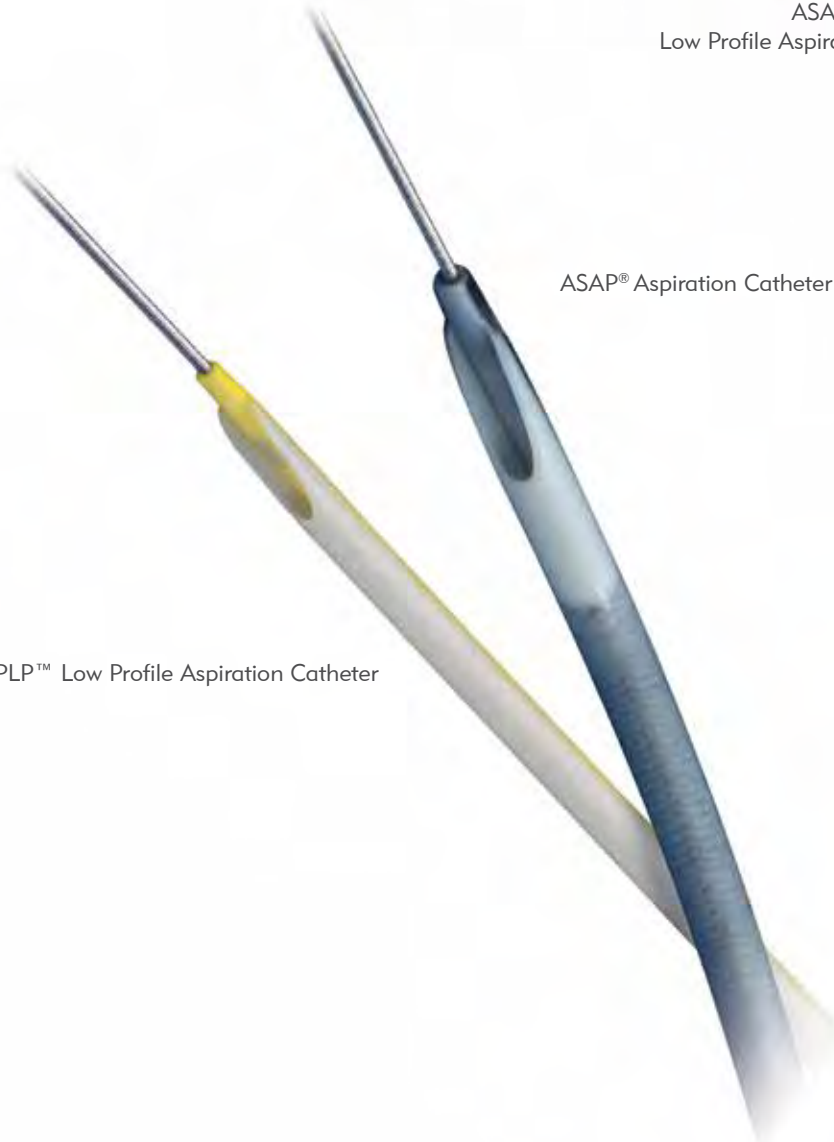
KIT INCLUDES:

- ASAP or ASAPLP Catheter
- 2 VacLok® Syringes
- RXP® Flushing Syringe
- 2 filter baskets, 70 micron
- MicroStop™ Closed Waste Basin
- 21.5 cm Tubing Set with Stopcock

Catalogue Number	Description	Lumen Area	Quantity Per Box
ASAP100	ASAP Aspiration Catheter & Kit	1.01 mm ²	1
ASAPLP	ASAPLP Aspiration Catheter & Kit	0.81 mm ²	1



ASAPLP™
Low Profile Aspiration Catheter & Kit



ASAPLP™ Low Profile Aspiration Catheter

ASAP® Aspiration Catheter

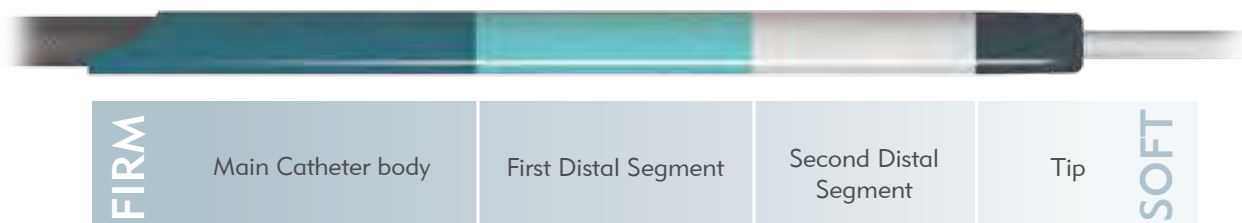
CONCIERGE® GUIDING CATHETERS

Merit Medical's ConcierGE offers guiding excellence with superior performance in the features clinicians value most: kink resistance (30% more than leading brands¹), backup support, an atraumatic tip, and 1:1 torque.

Durometer of nylon provides good support and pushability for the catheter.

Softer than dark green shaft, provides the catheter with more flexibility as it comes around the aortic arch and starts to form the catheter shape.

Even softer, providing even more flexibility to the shape of the catheter tip. Each segment becomes progressively softer.



¹Data on file.

CONCIERGE® JUDKINS RIGHT GUIDING CATHETERS

Catalogue Number	French Size	Tip	Internal Diameter	Length	# Side Ports
CGC5100JR30	5	3.0	0.057"/1.4 mm	100 cm	-
CGC5100JR35	5	3.5	0.057"/1.4 mm	100 cm	-
CGC5100JR35SH	5	3.5	0.057"/1.4 mm	100 cm	2
CGC5100JR40	5	4.0	0.057"/1.4 mm	100 cm	-
CGC5100JR40SH	5	4.0	0.057"/1.4 mm	100 cm	2
CGC5100JR50	5	5.0	0.057"/1.4 mm	100 cm	-
CGC5100JR50SH	5	5.0	0.057"/1.4 mm	100 cm	2
CGC5100JR60	5	6.0	0.057"/1.4 mm	100 cm	-
CGC6100JR30	6	3.0	0.070"/1.8 mm	100 cm	-
CGC6100JR35	6	3.5	0.070"/1.8 mm	100 cm	-
CGC6100JR35SH	6	3.5	0.070"/1.8 mm	100 cm	2
CGC6100JR40	6	4.0	0.070"/1.8 mm	100 cm	-
CGC6100JR40SH	6	4.0	0.070"/1.8 mm	100 cm	2
CGC6100JR50	6	5.0	0.070"/1.8 mm	100 cm	-
CGC6100JR50SH	6	5.0	0.070"/1.8 mm	100 cm	2
CGC6100JR60	6	6.0	0.070"/1.8 mm	100 cm	-
CGC7100JR30	7	3.0	0.078"/2.0 mm	100 cm	-
CGC7100JR35	7	3.5	0.078"/2.0 mm	100 cm	-
CGC7100JR35SH	7	3.5	0.078"/2.0 mm	100 cm	2
CGC7100JR40	7	4.0	0.078"/2.0 mm	100 cm	-
CGC7100JR40SH	7	4.0	0.078"/2.0 mm	100 cm	2
CGC7100JR50	7	5.0	0.078"/2.0 mm	100 cm	-
CGC7100JR50SH	7	5.0	0.078"/2.0 mm	100 cm	2
CGC7100JR60	7	6.0	0.078"/2.0 mm	100 cm	-
CGC8100JR30	8	3.0	0.088"/2.2 mm	100 cm	-
CGC8100JR35	8	3.5	0.088"/2.2 mm	100 cm	-
CGC8100JR35SH	8	3.5	0.088"/2.2 mm	100 cm	2
CGC8100JR40	8	4.0	0.088"/2.2 mm	100 cm	-
CGC8100JR40SH	8	4.0	0.088"/2.2 mm	100 cm	2
CGC8100JR50	8	5.0	0.088"/2.2 mm	100 cm	-
CGC8100JR50SH	8	5.0	0.088"/2.2 mm	100 cm	2
CGC8100JR60	8	6.0	0.088"/2.2 mm	100 cm	-



JR 3.0



JR 3.5



JR 4.0



JR 5.0



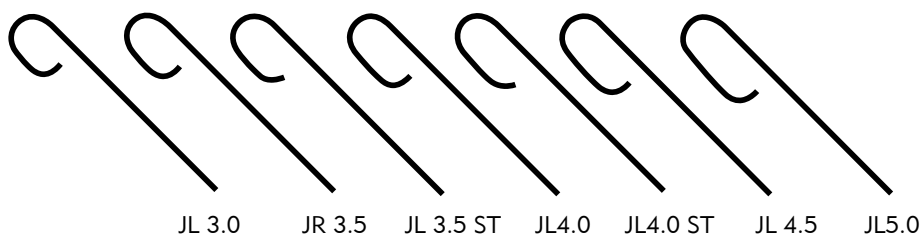
JR 6.0

SH = side hole 8F guiding catheters will be built upon request.

CONCIERGE® JUDKINS LEFT GUIDING CATHETERS

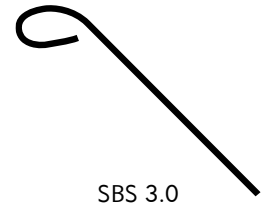
Catalogue Number	French Size	Description	Internal Diameter	Length	# Side Ports
CGC5100JL30	5	3.0	0.057"/1.4 mm	100 cm	-
CGC5100JL35	5	3.5	0.057"/1.4 mm	100 cm	-
CGC5100JL35SH	5	3.5	0.057"/1.4 mm	100 cm	2
CGC5100JL35ST	5	3.5	0.057"/1.4 mm	100 cm	-
CGC5100JL40	5	4.0	0.057"/1.4 mm	100 cm	-
CGC5100JL40SH	5	4.0	0.057"/1.4 mm	100 cm	2
CGC5100JL40ST	5	4.0	0.057"/1.4 mm	100 cm	-
CGC5100JL45	5	4.5	0.057"/1.4 mm	100 cm	-
CGC5100JL45SH	5	4.5	0.057"/1.4 mm	100 cm	2
CGC5100JL50	5	5.0	0.057"/1.4 mm	100 cm	-
CGC5100JL50SH	5	5.0	0.057"/1.4 mm	100 cm	2
CGC6100JL30	6	3.0	0.070"/1.8 mm	100 cm	-
CGC6100JL35	6	3.5	0.070"/1.8 mm	100 cm	-
CGC6100JL35SH	6	3.5	0.070"/1.8 mm	100 cm	2
CGC6100JL35ST	6	3.5	0.070"/1.8 mm	100 cm	-
CGC6100JL40	6	4.0	0.070"/1.8 mm	100 cm	-
CGC6100JL40SH	6	4.0	0.070"/1.8 mm	100 cm	2
CGC6100JL40ST	6	4.0	0.070"/1.8 mm	100 cm	-
CGC6100JL45	6	4.5	0.070"/1.8 mm	100 cm	-
CGC6100JL45SH	6	4.5	0.070"/1.8 mm	100 cm	2
CGC6100JL50	6	5.0	0.070"/1.8 mm	100 cm	-
CGC6100JL50SH	6	5.0	0.070"/1.8 mm	100 cm	2
CGC7100JL30	7	3.0	0.078"/2.0 mm	100 cm	-
CGC7100JL35	7	3.5	0.078"/2.0 mm	100 cm	-
CGC7100JL35SH	7	3.5	0.078"/2.0 mm	100 cm	2
CGC7100JL35ST	7	3.5	0.078"/2.0 mm	100 cm	-
CGC7100JL40	7	4.0	0.078"/2.0 mm	100 cm	-
CGC7100JL40SH	7	4.0	0.078"/2.0 mm	100 cm	2
CGC7100JL40ST	7	4.0	0.078"/2.0 mm	100 cm	-
CGC7100JL45	7	4.5	0.078"/2.0 mm	100 cm	-
CGC7100JL45SH	7	4.5	0.078"/2.0 mm	100 cm	2
CGC7100JL50	7	5.0	0.078"/2.0 mm	100 cm	-
CGC7100JL50SH	7	5.0	0.078"/2.0 mm	100 cm	2
CGC8100JL30	8	3.0	0.088"/2.2 mm	100 cm	-
CGC8100JL35	8	3.5	0.088"/2.2 mm	100 cm	-
CGC8100JL35SH	8	3.5	0.088"/2.2 mm	100 cm	2
CGC8100JL35ST	8	3.5	0.088"/2.2 mm	100 cm	-
CGC8100JL40	8	4.0	0.088"/2.2 mm	100 cm	-
CGC8100JL40SH	8	4.0	0.088"/2.2 mm	100 cm	2
CGC8100JL40ST	8	4.0	0.088"/2.2 mm	100 cm	-
CGC8100JL45	8	4.5	0.088"/2.2 mm	100 cm	-
CGC8100JL45SH	8	4.5	0.088"/2.2 mm	100 cm	2
CGC8100JL50	8	5.0	0.088"/2.2 mm	100 cm	-
CGC8100JL50SH	8	5.0	0.088"/2.2 mm	100 cm	2

SH = side hole ST = short tip

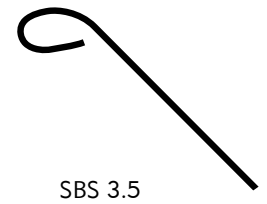


CONCIERGE® SBS GUIDING CATHETERS

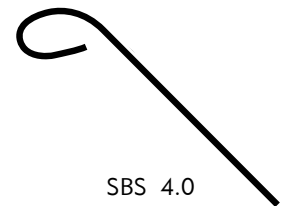
Catalogue Number	French Size	Description	Internal Diameter	Length	# Side Ports
SBS 3.0					
CGC5100SBS30	5	3.0	0.057"/1.4 mm	100 cm	-
CGC5100SBS30SH	5	3.0	0.057"/1.4 mm	100 cm	2
CGC6100SBS30	6	3.0	0.070"/1.8 mm	100 cm	-
CGC6100SBS30SH	6	3.0	0.070"/1.8 mm	100 cm	2
CGC7100SBS30	7	3.0	0.078"/2.0 mm	100 cm	-
CGC7100SBS30SH	7	3.0	0.078"/2.0 mm	100 cm	2
CGC8100SBS30	8	3.0	0.088"/2.2 mm	100 cm	-
CGC8100SBS30SH	8	3.0	0.088"/2.2 mm	100 cm	2



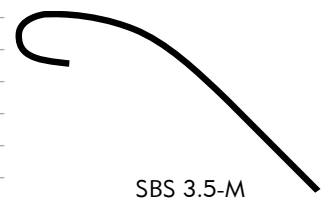
SBS 3.5					
CGC5100SBS35	5	3.5	0.057"/1.4 mm	100 cm	-
CGC5100SBS35SH	5	3.5	0.057"/1.4 mm	100 cm	2
CGC6100SBS35	6	3.5	0.070"/1.8 mm	100 cm	-
CGC6100SBS35SH	6	3.5	0.070"/1.8 mm	100 cm	2
CGC7100SBS35	7	3.5	0.078"/2.0 mm	100 cm	-
CGC7100SBS35SH	7	3.5	0.078"/2.0 mm	100 cm	2
CGC8100SBS35	8	3.5	0.088"/2.0 mm	100 cm	-
CGC8100SBS35SH	8	3.5	0.088"/2.0 mm	100 cm	2



SBS 4.0					
CGC5100SBS40	5	4.0	0.057"/1.4 mm	100 cm	-
CGC5100SBS40SH	5	4.0	0.057"/1.4 mm	100 cm	2
CGC6100SBS40	6	4.0	0.070"/1.8 mm	100 cm	-
CGC6100SBS40SH	6	4.0	0.070"/1.8 mm	100 cm	2
CGC7100SBS40	7	4.0	0.078"/2.0 mm	100 cm	-
CGC7100SBS40SH	7	4.0	0.078"/2.0 mm	100 cm	2
CGC8100SBS40	8	4.0	0.088"/2.2 mm	100 cm	-
CGC8100SBS40SH	8	4.0	0.088"/2.2 mm	100 cm	2



SBS 3.5 MODIFIED					
CGC5100SBS35-M	5	3.5	0.057"/1.4 mm	100 cm	-
CGC5100SBS35-MSH	5	3.5	0.057"/1.4 mm	100 cm	2
CGC6100SBS35-M	6	3.5	0.070"/1.8mm	100 cm	-
CGC6100SBS35-MSH	6	3.5	0.070"/1.8 mm	100 cm	2
CGC7100SBS35-M	7	3.5	0.078"/2.0 mm	100 cm	-
CGC7100SBS35-MSH	7	3.5	0.078"/2.0 mm	100 cm	2
CGC8100SBS35-M	8	3.5	0.088"/2.0 mm	100 cm	-
CGC8100SBS35-MSH	8	3.5	0.088"/2.0 mm	100 cm	2



SBS 4.0 MODIFIED					
CGC5100SBS40-M	5	4.0	0.057"/1.4 mm	100 cm	-
CGC5100SBS40-MSH	5	4.0	0.057"/1.4 mm	100 cm	2
CGC6100SBS40-M	6	4.0	0.070"/1.8 mm	100 cm	-
CGC6100SBS40-MSH	6	4.0	0.070"/1.8 mm	100 cm	2
CGC7100SBS40-M	7	4.0	0.078"/2.0 mm	100 cm	-
CGC7100SBS40-MSH	7	4.0	0.078"/2.0 mm	100 cm	2
CGC8100SBS40-M	8	4.0	0.088"/2.2 mm	100 cm	-
CGC8100SBS40-MSH	8	4.0	0.088"/2.2 mm	100 cm	2



SH = side hole

CONCIERGE® AMPLATZ RIGHT GUIDING CATHETERS

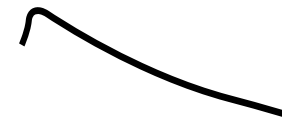
Catalogue Number	French Size	Description	Internal Diameter	Length	# Side Ports
AMPLATZ RIGHT 1					
CGC5100AR1	5	AR1	0.057"/1.4 mm	100 cm	-
CGC5100AR1SH	5	AR1	0.057"/1.4 mm	100 cm	2
CGC6100AR1	6	AR1	0.070"/1.8 mm	100 cm	-
CGC6100AR1SH	6	AR1	0.070"/1.8 mm	100 cm	2
CGC7100AR1	7	AR1	0.078"/2.0 mm	100 cm	-
CGC7100AR1SH	7	AR1	0.078"/2.0 mm	100 cm	2
CGC8100AR1	8	AR1	0.088"/2.2 mm	100 cm	-
CGC8100AR1SH	8	AR1	0.088"/2.2 mm	100 cm	2

AMPLATZ RIGHT 2

CGC5100AR2	5	AR2	0.057"/1.4 mm	100 cm	-
CGC5100AR2SH	5	AR2	0.057"/1.4 mm	100 cm	2
CGC6100AR2	6	AR2	0.070"/1.8 mm	100 cm	-
CGC6100AR2SH	6	AR2	0.070"/1.8 mm	100 cm	2
CGC7100AR2	7	AR2	0.078"/2.0 mm	100 cm	-
CGC7100AR2SH	7	AR2	0.078"/2.0 mm	100 cm	2
CGC8100AR2	8	AR2	0.088"/2.2 mm	100 cm	-
CGC8100AR2SH	8	AR2	0.088"/2.2 mm	100 cm	2

AMPLATZ RIGHT 3

CGC5100AR3	5	AR3	0.057"/1.4 mm	100 cm	-
CGC6100AR3	6	AR3	0.070"/1.8 mm	100 cm	-
CGC7100AR3	7	AR3	0.078"/2.0 mm	100 cm	-
CGC8100AR3	8	AR3	0.088"/2.2 mm	100 cm	-



AR 1



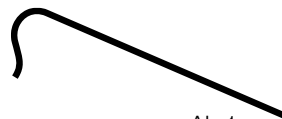
AR 2



AR 3

CONCIERGE® AMPLATZ LEFT GUIDING CATHETERS

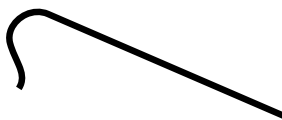
Catalogue Number	French Size	Description	Internal Diameter	Length	# Side Ports
AMPLATZ LEFT 1					
CGC5100AL1	5	AL1	0.057"/1.4mm	100 cm	-
CGC5100AL1SH	5	AL1	0.057"/1.4mm	100 cm	2
CGC6100AL1	6	AL1	0.070"/1.8mm	100 cm	-
CGC6100AL1SH	6	AL1	0.070"/1.8mm	100 cm	2
CGC7100AL1	7	AL1	0.078"/2.0mm	100 cm	-
CGC7100AL1SH	7	AL1	0.078"/2.0mm	100 cm	2
CGC8100AL1	8	AL1	0.088"/2.2mm	100 cm	-
CGC8100AL1SH	8	AL1	0.088"/2.2mm	100 cm	2



AL 1

AMPLATZ LEFT 2

CGC5100AL2	5	AL2	0.057"/1.4mm	100 cm	-
CGC5100AL2SH	5	AL2	0.057"/1.4mm	100 cm	2
CGC6100AL2	6	AL2	0.070"/1.8mm	100 cm	-
CGC6100AL2SH	6	AL2	0.070"/1.8mm	100 cm	2
CGC7100AL2	7	AL2	0.078"/2.0mm	100 cm	-
CGC7100AL2SH	7	AL2	0.078"/2.0mm	100 cm	2
CGC8100AL2	8	AL2	0.088"/2.2mm	100 cm	-
CGC8100AL2SH	8	AL2	0.088"/2.2mm	100 cm	2



AL 2

AMPLATZ LEFT 3

CGC5100AL3	5	AL3	0.057"/1.4 mm	100 cm	-
CGC6100AL3	6	AL3	0.070"/1.8 mm	100 cm	-
CGC7100AL3	7	AL3	0.078"/2.0 mm	100 cm	-
CGC8100AL3	8	AL3	0.088"/2.2 mm	100 cm	-



AL 3

SH = side hole

CONCIERGE® MULTIPURPOSE 1 GUIDING CATHETERS

Catalogue Number	French Size	Description	Internal Diameter	Length	# Side Ports
CGC5100MPI	5	MP	0.057"/1.4 mm	100 cm	-
CGC5100MPI SH	5	MP	0.057"/1.4 mm	100 cm	2
CGC6100MPI	6	MP	0.070"/1.8 mm	100 cm	-
CGC6100MPI SH	6	MP	0.070"/1.8 mm	100 cm	2
CGC7100MPI	7	MP	0.078"/2.0 mm	100 cm	-
CGC7100MPI SH	7	MP	0.078"/2.0 mm	100 cm	2
CGC8100MPI	8	MP	0.088"/2.2 mm	100 cm	-
CGC8100MPI SH	8	MP	0.088"/2.2 mm	100 cm	2



CONCIERGE® LEFT CORONARY BYPASS GUIDING CATHETERS

Catalogue Number	French Size	Description	Internal Diameter	Length	# Side Ports
CGC5100LCB	5	LCB	0.057"/1.4 mm	100 cm	-
CGC5100LCB SH	5	LCB	0.057"/1.4 mm	100 cm	2
CGC6100LCB	6	LCB	0.070"/1.8 mm	100 cm	-
CGC6100LCB SH	6	LCB	0.070"/1.8 mm	100 cm	2
CGC7100LCB	7	LCB	0.078"/2.0 mm	100 cm	-
CGC7100LCB SH	7	LCB	0.078"/2.0 mm	100 cm	2
CGC8100LCB	8	LCB	0.088"/2.2 mm	100 cm	-
CGC8100LCB SH	8	LCB	0.088"/2.2 mm	100 cm	2



CONCIERGE® RIGHT CORONARY BYPASS GUIDING CATHETERS

Catalogue Number	French Size	Description	Internal Diameter	Length	# Side Ports
CGC5100RCB	5	RCB	0.057"/1.4 mm	100 cm	-
CGC5100RCB SH	5	RCB	0.057"/1.4 mm	100 cm	2
CGC6100RCB	6	RCB	0.070"/1.8 mm	100 cm	-
CGC6100RCB SH	6	RCB	0.070"/1.8 mm	100 cm	2
CGC7100RCB	7	RCB	0.078"/2.0 mm	100 cm	-
CGC7100RCB SH	7	RCB	0.078"/2.0 mm	100 cm	2
CGC8100RCB	8	RCB	0.088"/2.2 mm	100 cm	-
CGC8100RCB SH	8	RCB	0.088"/2.2 mm	100 cm	2



SH = side hole

CONCIERGE® INTERNAL MAMMARY GUIDING CATHETERS

Catalogue Number	French Size	Description	Internal Diameter	Length	# Side Ports
CGC5100IM	5	IM	0.057"/1.4 mm	100 cm	-
CGC5100IMSH	5	IM	0.057"/1.4 mm	100 cm	2
CGC6100IM	6	IM	0.070"/1.8 mm	100 cm	-
CGC6100IMSH	6	IM	0.070"/1.8 mm	100 cm	2
CGC7100IM	7	IM	0.078"/2.0 mm	100 cm	-
CGC7100IMSH	7	IM	0.078"/2.0 mm	100 cm	2
CGC8100IM	8	IM	0.088"/2.2 mm	100 cm	-
CGC8100IMSH	8	IM	0.088"/2.2 mm	100 cm	2



IM

CONCIERGE® EL GAMAL GUIDING CATHETERS

Catalogue Number	French Size	Description	Internal Diameter	Length	# Side Ports
CGC5100EG	5	EG	0.057"/1.4 mm	100 cm	-
CGC6100EG	6	EG	0.070"/1.8 mm	100 cm	-
CGC7100EG	7	EG	0.078"/2.0 mm	100 cm	-
CGC8100EG	8	EG	0.088"/2.2 mm	100 cm	-



EG

CONCIERGE® HOCKEY STICK GUIDING CATHETERS

Catalogue Number	French Size	Description	Internal Diameter	Length	# Side Ports
CGC5100HS	5	HS	0.057"/1.4 mm	100 cm	-
CGC6100HS	6	HS	0.070"/1.8 mm	100 cm	-
CGC7100HS	7	HS	0.078"/2.0 mm	100 cm	-
CGC8100HS	8	HS	0.088"/2.2 mm	100 cm	-



HS

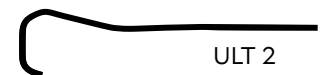
CONCIERGE® ULTIMATE GUIDING CATHETERS

Catalogue Number	French Size	Description	Internal Diameter	Length	# Side Ports
ULTIMATE 1					
CGC5100ULT1	5	ULT1	0.057"/1.4 mm	100 cm	-
CGC6100ULT1	6	ULT1	0.070"/1.8 mm	100 cm	-
CGC7100ULT1	7	ULT1	0.078"/2.0 mm	100 cm	-



ULT 1

ULTIMATE 2					
CGC5100ULT2	5	ULT2	0.057"/1.4 mm	100 cm	-
CGC6100ULT2	6	ULT2	0.070"/1.8 mm	100 cm	-
CGC7100ULT2	7	ULT2	0.078"/2.0 mm	100 cm	-



ULT 2

ULTIMATE 3					
CGC5100ULT3	5	ULT3	0.057"/1.4 mm	100 cm	-
CGC6100ULT3	6	ULT3	0.070"/1.8 mm	100 cm	-
CGC7100ULT3	7	ULT3	0.078"/2.0 mm	100 cm	-



ULT 3

SH = side hole



ConcierGE® Guiding Excellence Catheters

HAEMOSTASIS VALVES & ACCESSORIES

Merit Medical has developed a complete line of technically sophisticated, clinically acclaimed haemostasis valves and accessories for minimising blood loss and optimising control of interventional devices. Sold individually. Packaged 25 units per box, 4 boxes per case.



Honor®
Haemostasis
Valve

AccessPLUS™
Large Bore
Haemostasis
Valve

Metal or Plastic
Guide Wire
Insertion
Tool

Torque
Device
.009" - .018"

NEW
PhD™
Haemostasis
Valve

H2O TORQ™
Torque Device
.010" - .020"

SEADRAGON™
Torque Device
0.18" - 0.38"

Catalogue Number

Description

Catalogue Number	Description
MAP150	AccessPLUS Large Bore Haemostasis Valve
MAP300	Honor Haemostasis Valve
MAP500	Torque Device (fluorescent pink)
MAP501	Torque Device (fluorescent green)
MAP550	Metal Guide Wire Insertion Tool
MAP600	Plastic Guide Wire Insertion Tool
MAP800	PhD Haemostasis Valve
TD200	H2O Torq Torque Device, yellow
TD500	SeaDragon Guide Wire Torque Device

Note: Haemostasis valves are also available with tubing extensions upon special request. Please allow six weeks lead time for custom orders.



Easily used with just one hand, Merit Medical's PhD haemostasis valve features both a conventional "tuohy" seal and a push-and-release bleedback seal.

MAP™ - MERIT ANGIOPLASTY PACKS

Merit Angioplasty Packs include a haemostasis valve, your choice of insertion tool, and/or torque device. Packaged 25 units per box, 4 boxes per case.

Catalogue

Catalogue Number	Description
MAP151	AccessPLUS Large Bore Haemostasis Valve with Metal Guide Wire Insertion Tool
MAP152	AccessPLUS Large Bore Haemostasis Valve with Metal Guide Wire Insertion Tool and Torque Device
MAP152SD	AccessPLUS Large Bore Haemostasis Valve with Metal Insertion Tool, SeaDragon Torque Device
MAP153	AccessPLUS Large Bore Haemostasis Valve with Plastic Guide Wire Insertion Tool
MAP154	AccessPLUS Large Bore Haemostasis Valve with Plastic Guide Wire Insertion Tool and Torque Device
MAP302	Honor Haemostasis Valve with Metal Guide Wire Insertion Tool and Torque Device
MAP350	Honor Haemostasis Valve with 20 cm Tubing and Stopcock
MAP351	Honor Haemostasis Valve with Plastic Guide Wire Insertion Tool, 20 cm Tubing and Stopcock
MAP352	Honor Haemostasis Valve with Metal Guide Wire Insertion Tool, 20 cm Tubing, Stopcock and Torque Device
MAP353	Honor Haemostasis Valve with 50 cm Tubing, Metal Guide Wire Insertion Tool and Torque Device
MAP354	Honor Haemostasis Valve with 50 cm Tubing, Plastic Guide Wire Insertion Tool and Torque Device
MAP360	Honor Haemostasis Valve with Flexible Tubing and Stopcock
MAP362	Honor Haemostasis Valve with Flexible Tubing and Stopcock, Guide Wire
MAP801	PhD Haemostasis Valve, Small Bore with Spring, Metal Insertion Tool, Sterile
MAP802	PhD Haemostasis Valve, Small Bore with Spring, Metal Insertion Tool, Torque Device
MAP803	PhD Haemostasis Valve, Small Bore with Spring, Plastic Insertion Tool
MAP804	PhD Haemostasis Valve, Small Bore with Spring, Plastic Insertion Tool, Torque Device
MAP805	PhD Haemostasis Valve, Small Bore with Spring, 10" (25.4 cm) 500 psi Tubing, Metal Insertion Tool, Torque Device

Note: Upon special request, haemostasis valves are also available with tubing extensions. Please allow six weeks lead time for custom orders.



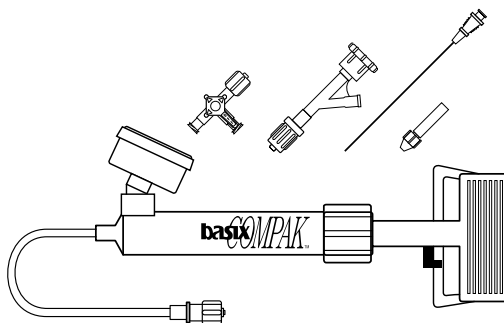
MAP352

BASIXCOMPAK™ INFLATION DEVICE KITS

The BasixCOMPAK is a 30 atm analog inflation device that features an angled gauge for better viewing of pressure readings and a luminescent dial for low-light procedures. The 5 mL of safety space is intended to minimise air bubbles introduced into the balloon.

KIT INCLUDES:

- BasixCOMPAK Inflation Device
- 13" (33 cm) Extension Tubing
- 3-Way Stopcock
- MAP - Merit Angioplasty Pack (includes haemostasis valve, metal guide wire insertion tool, and torque device)



Catalogue

Number	Description
IN4530	with AccessPLUS™ Haemostasis Valve, metal guide wire insertion tool and torque device
IN4330	with Honor® Haemostasis Valve, metal insertion tool and torque device
IN4352	with Honor Haemostasis Valve, metal guide wire insertion tool, 20 cm tubing, stopcock and torque device
IN4802	with PhD™ Haemostasis Valve, small bore with spring, metal insertion tool and torque device

BASIXCOMPAK INFLATION SYRINGE KIT

KIT INCLUDES:

- BasixCOMPAK Inflation Device
- 13" (33 cm) Extension Tubing
- 3-Way Stopcock

Catalogue

Number	Description
K05-02286	with metal guide wire insertion tool, pin torque device
K05-00807A	with 10 mL red Nitro and 10 mL yellow Heparin Medallion® syringes
K05-01840	with MAP - Merit Angioplasty Pack - that includes AccessPlus haemostasis valve, metal guide wire insertion tool, pin torque device, RXP® flushing syringe
K05-00812	with 20 mL VacLok® vacuum pressure syringe
K05-00808	with 10 mL red Nitro Medallion syringe

Packaged 5 kits per box, 4 boxes per case.



BASIXTOUCH™ INFLATION DEVICE KITS

The BasixTOUCH™ Inflation device is an innovative device with an ergonomic handle that enables one-handed preparation and priming, 35 atm pressure capability and 30 mL fluid capacity. Features a quick-release handle for easy release even from high-pressure inflations, accelerating deflation time. Reaches high pressures rapidly – with less than three rotations of the handle. Comes with high pressure stopcock.

Catalogue

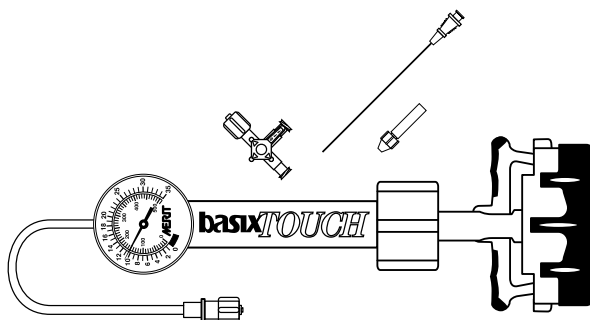
Number	Description
IN8100	Standalone without stopcock
IN8152	with MAP152, AccessPLUS™ Haemostasis Valve
IN8302	with MAP302, Honor® Haemostasis Valve
IN8352	with MAP352, Honor Haemostasis Valve
IN8353	with MAP353, Honor Haemostasis Valve
IN8802	with MAP802, PhD™ Haemostasis Valve

Packaged 5 per box, 2 boxes per case.

BASIXTOUCH INFLATION DEVICE KIT

KIT INCLUDES:

- BasixTOUCH Inflation Device
- 13" (33 cm) Extension Tubing
- 3-Way Stopcock
- MAP - Merit Angioplasty Pack (includes large bore haemostasis valve, metal guide wire insertion tool, and torque device)



BASIXTOUCH INFLATION SYRINGE KIT

35 atm analog inflation device with angled gauge, 13" (33 cm) extension tubing, metal guide wire insertion tool, torque device, and 3-way stopcock. Packaged 5 per box, 2 boxes per case.

Catalogue Number K05-02680



BLUE DIAMOND™ INFLATION DEVICE

The 30 atm Blue Diamond inflation device combines the accuracy of a digital device with the simplicity of analog systems. Features include one-button functionality for simplicity, a large dial face with oversized digits to enhance visibility, and last inflation marks to recall the highest pressure of the previous inflation. Comes with 13" (33 cm) extension tubing and 3-way stopcock. Packaged 5 units per box, 4 boxes per case.

Catalogue Number IN7130

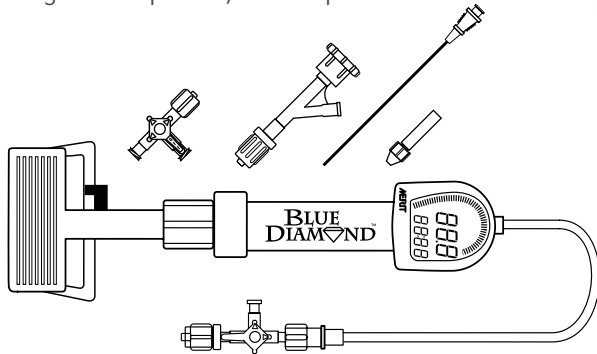


BLUE DIAMOND INFLATION DEVICE KIT

KIT INCLUDES:

- Blue Diamond Inflation Device
- 13" (33 cm) Extension Tubing
- 3-Way Stopcock
- MAP - Merit Angioplasty Pack (includes large bore haemostasis valve, metal guide wire insertion tool, and torque device)

Packaged 5 kits per box, 4 boxes per case.



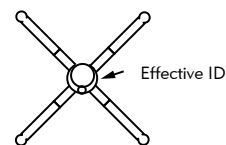
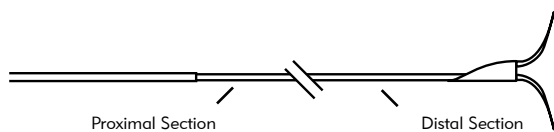
Catalogue Number

Description

IN7152	with AccessPLUS™ Haemostasis Valve
IN7352	with Honor® Haemostasis Valve

OSTIAL PRO® STENT POSITIONING SYSTEM

The Ostial PRO is a medical grade, disposable guide wire system designed to provide consistent and precise stent implantation in aorto-ostial lesions during coronary or peripheral interventional procedures. It consists of a flexible guide wire shaft that can be easily and accurately placed in the targeted aorto-ostial location. Low profile, atraumatic, radiopaque expandable “feet” at the distal tip of the guide wire system facilitate precise stent placement in the aorto-ostial lesion.



Catalogue Number 3011

Packaged 1 per box, 5 boxes per case.

WIRE DIAMETERS & LENGTHS:

Wire Section	Wire Diameter	Section Length
Overall	-	127 cm
Distal Section	.014" (.35 mm)	4 cm
Proximal Section	.018" (.46 mm)	123 cm



EFFECTIVE INSIDE DIAMETER (ID) WITHIN GUIDING CATHETERS:

Catheter Size	Estimated Catheter ID	Effective ID
6 F	.070" (1.8 mm)	.050" (1.3 mm)
7 F	.078" (2.0 mm)	.058" (1.5 mm)
8 F	.088" (2.2 mm)	.068" (1.7 mm)

The Ostial PRO is an alignment tool with gold-plated “feet” that engage the aortic wall and allow easier assessment of the coronary or renal ostia, improving accuracy of stent position in aorto-ostial lesions.

NITINOL GOLD-PLATED LEGS
allow greater opacification to help identify the plane of the ostium

15 MM LEG SPAN
accommodates ostia

FLEXIBLE CYLINDER
Longitudinal opening allows use with 6, 7, or 8 French guiding catheters

FLEXIBLE DISTAL WIRE
The 4 cm distal end is ground down to 0.014" and heat-treated to allow more flexibility to prevent straightening of the guiding catheter curve while retaining push/pull characteristics

TAPERED CYLINDER
permits easy pullback into the guide

OVERALL LENGTH OF 127 CM
permits use with any guide that is ≤100 cm in length

